

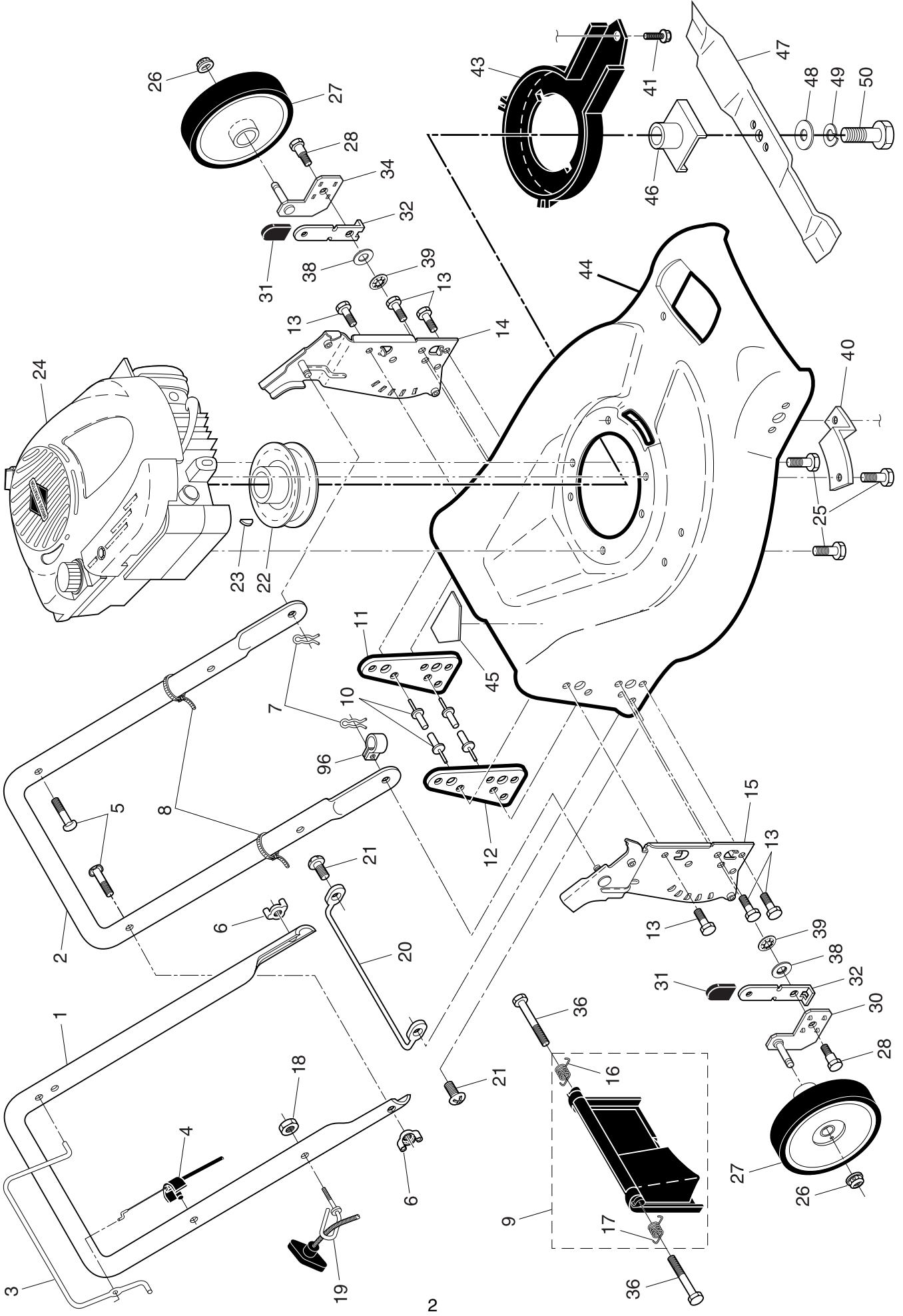
**ILLUSTRATED PARTS LIST**

**CUSTOMER MODEL NUMBER P5051CM**

**PRODUCT NUMBER 961 41 00-09**

**MFG. ID. NUMBER 96141000900**

**ROTARY LAWN MOWER -- CUSTOMER MODEL NO. P5051CM (9614100900) PRODUCT NO. 961 41 00-09**

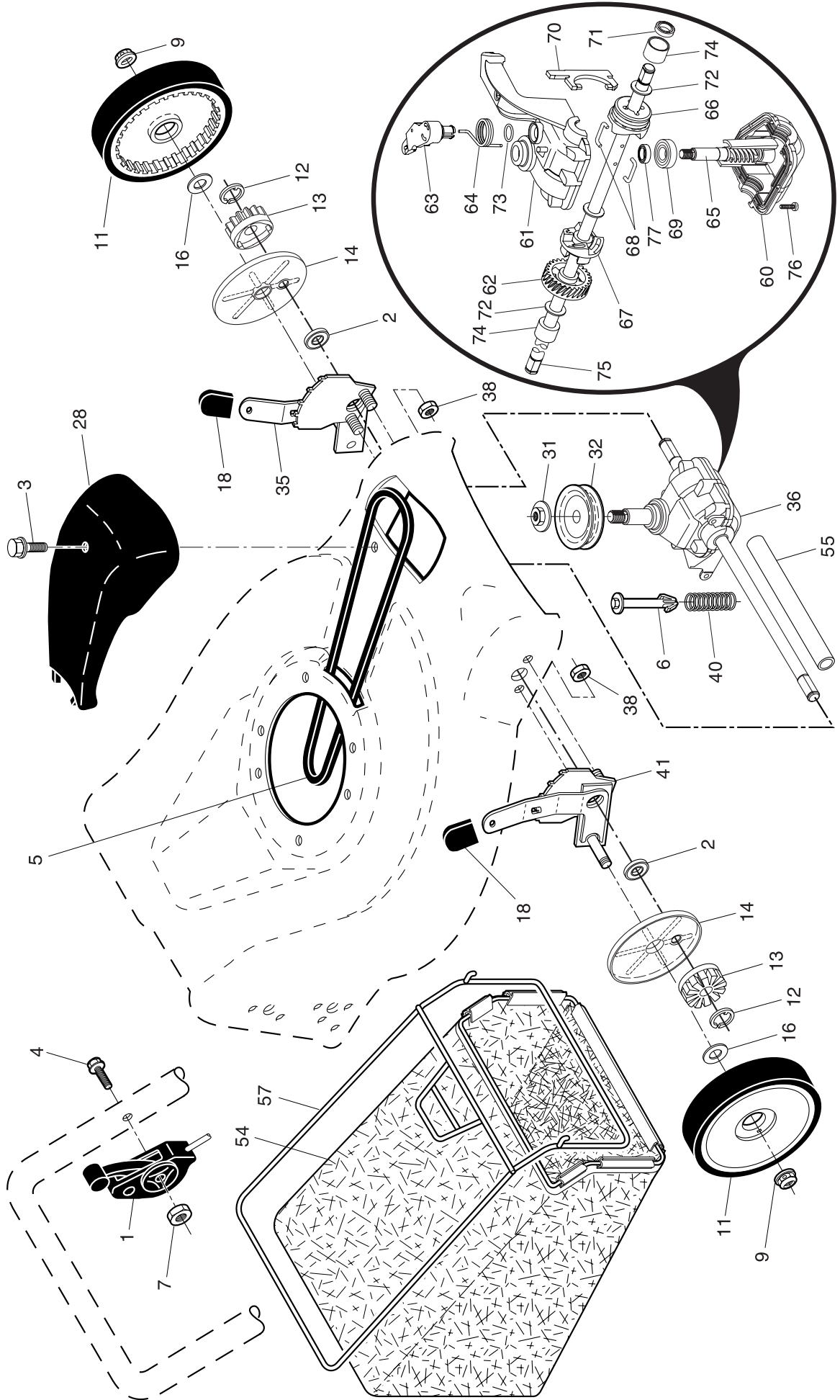


# ROTARY LAWN MOWER - - CUSTOMER MODEL NO. P5051CM (9614100900) PRODUCT NO. 961 41 00-09

KEY NO.	PART NO.	DESCRIPTION	KEY NO.	PART NO.	DESCRIPTION
1	532 19 25-17	Upper Handle	25	532 15 04-06	Hex Head Thread Rolling Screw 3/8-16 x 1-1/8
2	532 15 36-05	Lower Handle	26	532 08 39-23	Hex Flange Nut
3	532 14 67-71	Control Bar	27	532 19 48-55	Wheel & Tire Assembly
4	532 18 35-67	Engine Zone Control Cable	28	532 18 93-12	Shoulder Bolt 5/16-18 x .33
5	532 19 15-74	Handle Bolt	30	532 19 54-35	Axle Arm Assembly, RR
6	532 12 86-38	Wing Nut, Steel	31	532 08 78-77	Selector Knob
7	532 05 17-93	Hairpin Cotter	32	532 19 01-57	Selector Spring
8	532 06 64-26	Wire Tie	34	532 19 54-36	Axle Arm Assembly, Rear, LH
9	532 18 04-79	Rear Door Kit (Includes Key #16 and 17)	36	532 18 41-93	Bolt
10	532 12 84-15	Pop Rivet	38	819 17 61-85	Washer
11	532 18 25-38	Support Bracket, LH	39	532 17 62-35	Nut, Push 5/16-18
12	532 18 25-39	Support Bracket, RH	40	532 19 09-39	Mounting Bracket, Debris Shield
13	817 06 04-10	Screw 1/4-20 x 5/8	41	532 19 23-25	Screw
14	532 19 01-54	Handle Bracket Assembly, LH	43	532 18 87-84	Debris Shield
15	532 19 01-53	Handle Bracket Assembly, RH	44	532 19 48-60	Lawn Mower Housing (Includes Key Numbers 10, 11, 12 and 45)
16	532 18 00-71	Spring, LH	45	532 18 21-66	Danger Decal
17	532 18 00-72	Spring, RH	46	532 18 46-32	Blade Adapter
18	532 13 20-04	Keps Locknut 1/4-20	47	532 17 50-52	Blade 21"
19	532 17 95-85	Rope Guide	48	532 85 10-74	Hardened Washer
20	532 17 92-05	Foot Guard, C.E.	49	532 85 02-63	Helical Washer 3/8-24 x 1-3/8 Grade 8
21	532 05 45-83	Screw, Tapping 1/4-20 x 1/2	50	532 85 10-84	Hex Head Machine Screw 3/8-24 x 1-3/8 Grade 8
22	532 18 49-41	Engine Pulley	96	532 19 27-70	Clip, Cable
23	532 18 77-23	Hi-Pro Key	--	532 19 48-62	Operator's Manual, European
24	---	Engine, Briggs & Stratton, Model No. 12F802 (Order parts from engine manufacturer)	--	532 19 48-63	Operator's Manual, Scandinavian

**NOTE:** All component dimensions given in U.S. inches. 1 inch = 25.4 mm. **IMPORTANT:** Use only Original Equipment Manufacturer (O.E.M.) replacement parts. Failure to do so could be hazardous, damage your lawn mower and void your warranty.

**ROTARY LAWN MOWER - - CUSTOMER MODEL NO. P5051CM (96141000900) PRODUCT NO. 961 41 00-09**



**ROTARY LAWN MOWER - - CUSTOMER MODEL NO. P5051CM (9614100900) PRODUCT NO. 961 41 00-09**

KEY NO.	PART NO.	DESCRIPTION	KEY NO.	PART NO.	DESCRIPTION
1	532 18 45-87	Control Cable Assembly	54	532 19 54-50	Grassbag Assembly
2	532 16 73-87	Bearing, Wheel Adjuster	55	532 17 57-39	Driveshaft Cover
3	532 17 52-62	Pan Head Tapping Screw #10-24 x 2-3/4	57	532 18 88-15	Frame, Grassbag
4	532 15 87-55	Hex Washer Head Screw 1/4-20 x 2.12	60	532 18 34-97 *	Case, Lower
5	532 17 54-36	V-Belt	61	532 18 34-98 *	Case, Upper
6	532 15 04-95	Spring Retainer	62	532 18 34-99	Gear, 27 Teeth
7	532 19 17-30	Nut, Hex, Flanged 1/4-20	63	532 18 35-00	Lever, Clutch
9	532 14 52-12	Locknut	64	532 18 35-01	Spring, Return
11	532 19 48-54	Wheel & Tire Assembly	65	532 18 35-02	Shaft, Input
12	812 00 00-58	E-Ring	66	532 18 35-03	Dog, Movable
13	532 13 70-54	Pinion	67	532 18 35-04	Dog, Fixed
14	532 18 94-03	Dust Cover	68	532 18 35-05	Wire, Formed
16	532 06 77-25	Washer 1/2 x 1-1/2 x .134	69	532 18 35-06	Bearing, Ball
18	532 08 78-77	Selector Knob	70	532 18 35-07	Fork, Shift
28	532 18 14-68	Drive Cover	71	532 18 35-08	Seal, Output Shaft
31	532 13 20-10	Hex Flange Nut	72	532 18 35-09	Washer
32	532 18 94-07	Drive Pulley	73	532 18 35-10	Seal, Case
35	532 15 20-18	Kit, Wheel Adjuster, LH (Includes Knob and Bearing)	74	532 18 35-11	Bushing
36	532 18 01-84	Gearcase Assembly, Complete	75	532 18 35-12	Shaft, Output
38	873 80 04-00	Locknut 1/4-20	76	532 18 35-13	Screw
40	532 13 70-90	Spring	77	532 18 35-14	Seal, Input Shaft
41	532 15 20-19	Kit, Wheel Adjuster, RH (Includes Knob and Bearing)			

\* Use Dow Corning #709 to reseal Gear Case Halves.

**NOTE:** All component dimensions given in U.S. inches. 1 inch = 25.4 mm. **IMPORTANT:** Use only Original Equipment Manufacturer (O.E.M.) replacement parts. Failure to do so could be hazardous, damage your lawn mower and void your warranty.